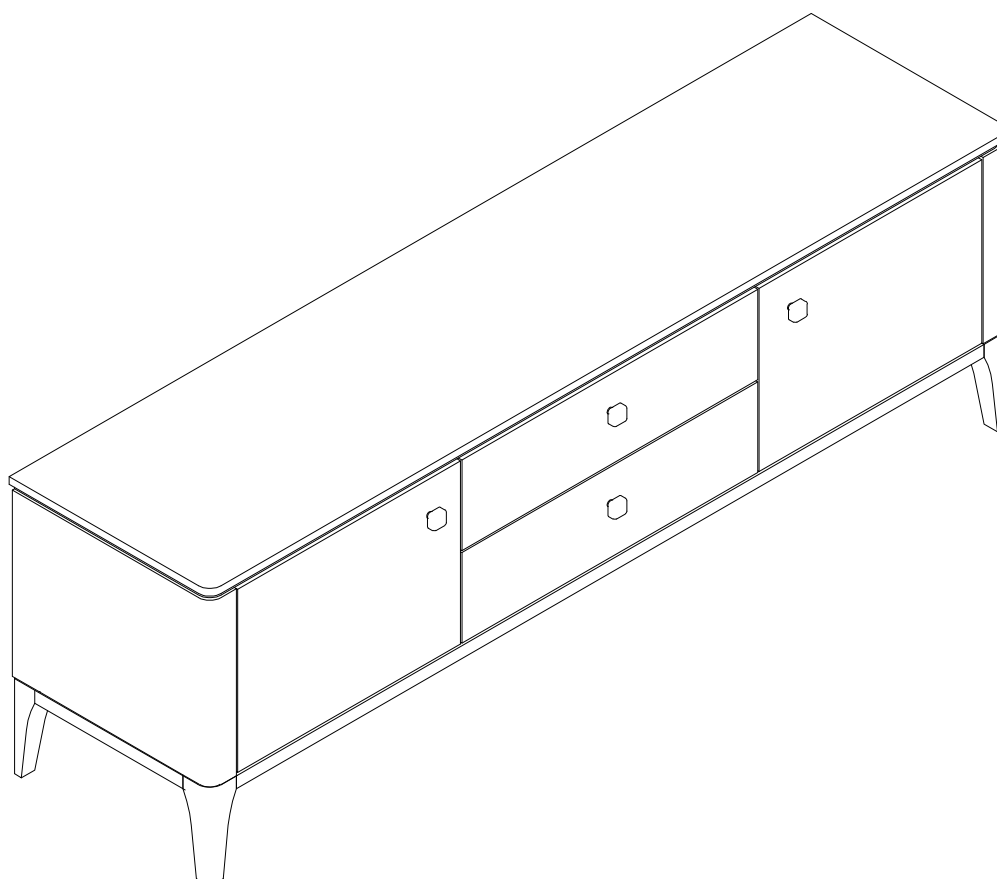


FB

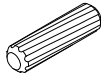
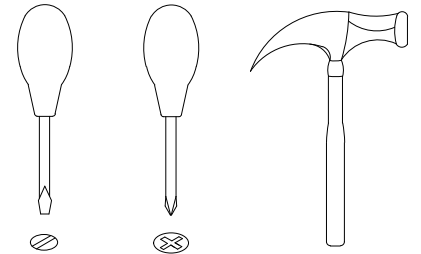
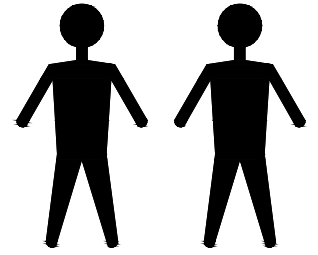
Fratelli Barri

# CPM6884

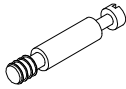


**EAC**

# # CPM6884



A x42  
Spec:  $\varnothing 8 \times 30$



B x34  
Spec:  $\varnothing 7 \times L30$



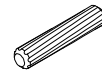
C x34  
Spec:  $\varnothing 15 \times H12$



D x12  
Spec:  $\varnothing 6 \times L28$



E x12  
Spec:  $\varnothing 12 \times H9$



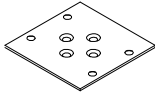
F x8  
Spec:  $\varnothing 6 \times 30$



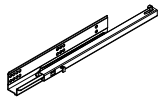
G x12  
Spec:  $\varnothing 6 \times L8$



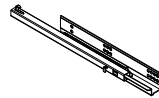
H x8  
Spec:  $\varnothing 3.5 \times L35$



I x2  
Spec:  $78 \times 78 \times 1.8$



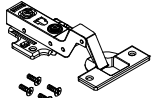
J x2  
Spec: L350



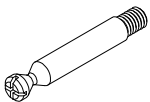
K x4  
Spec:  $M4 \times L21$



L x4  
Spec:



M x4  
Spec:



N x8  
Spec:  $\varnothing 7 \times L48$



O x8  
Spec:  $\varnothing 15 \times H15$



P x28  
Spec:



Q x16  
Spec:  $\varnothing 8 \times \varnothing 14$



R x16  
Spec:  $M6 \times 30$



S x44  
Spec:



T x8  
Spec:  $\varnothing 3.8 \times L16$



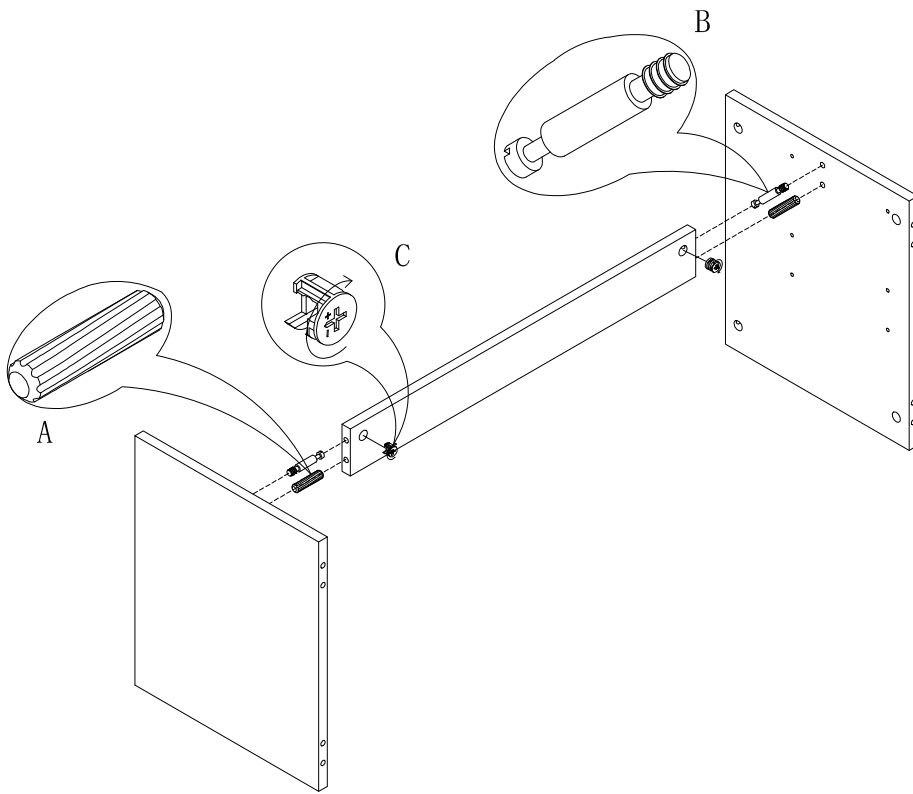
U x8  
Spec:  $\varnothing 4 \times L16$



V x8  
Spec:  $\varnothing 3.8 \times L20$

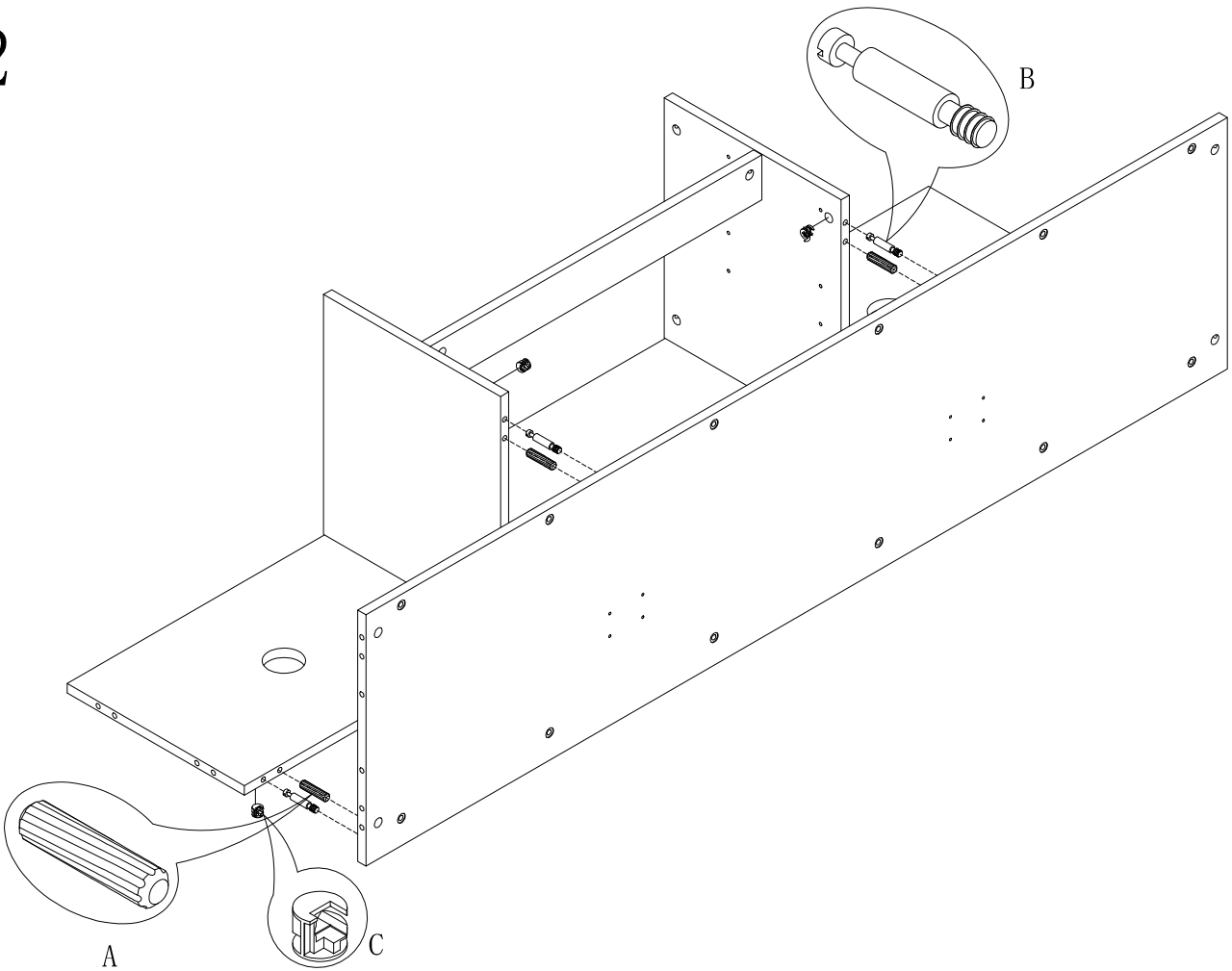


AAA x8  
Spec:  $\varnothing 3.8 \times L12$

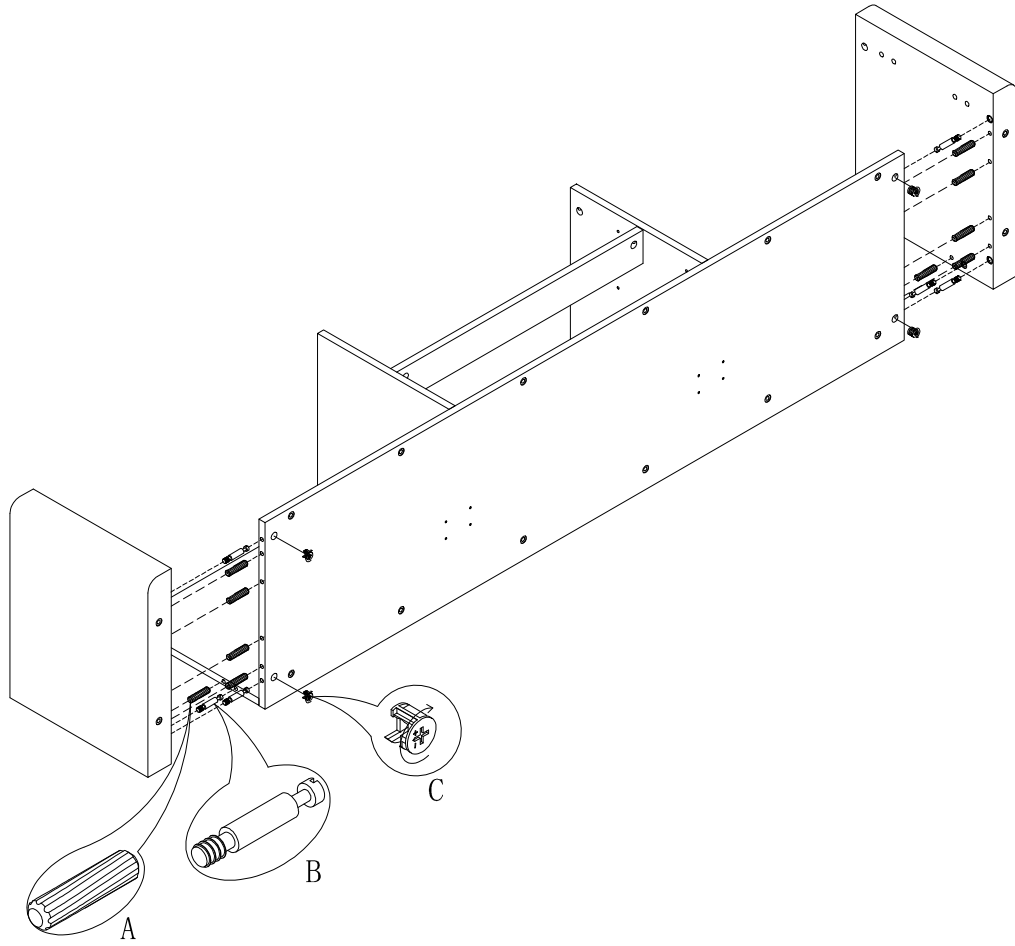


1

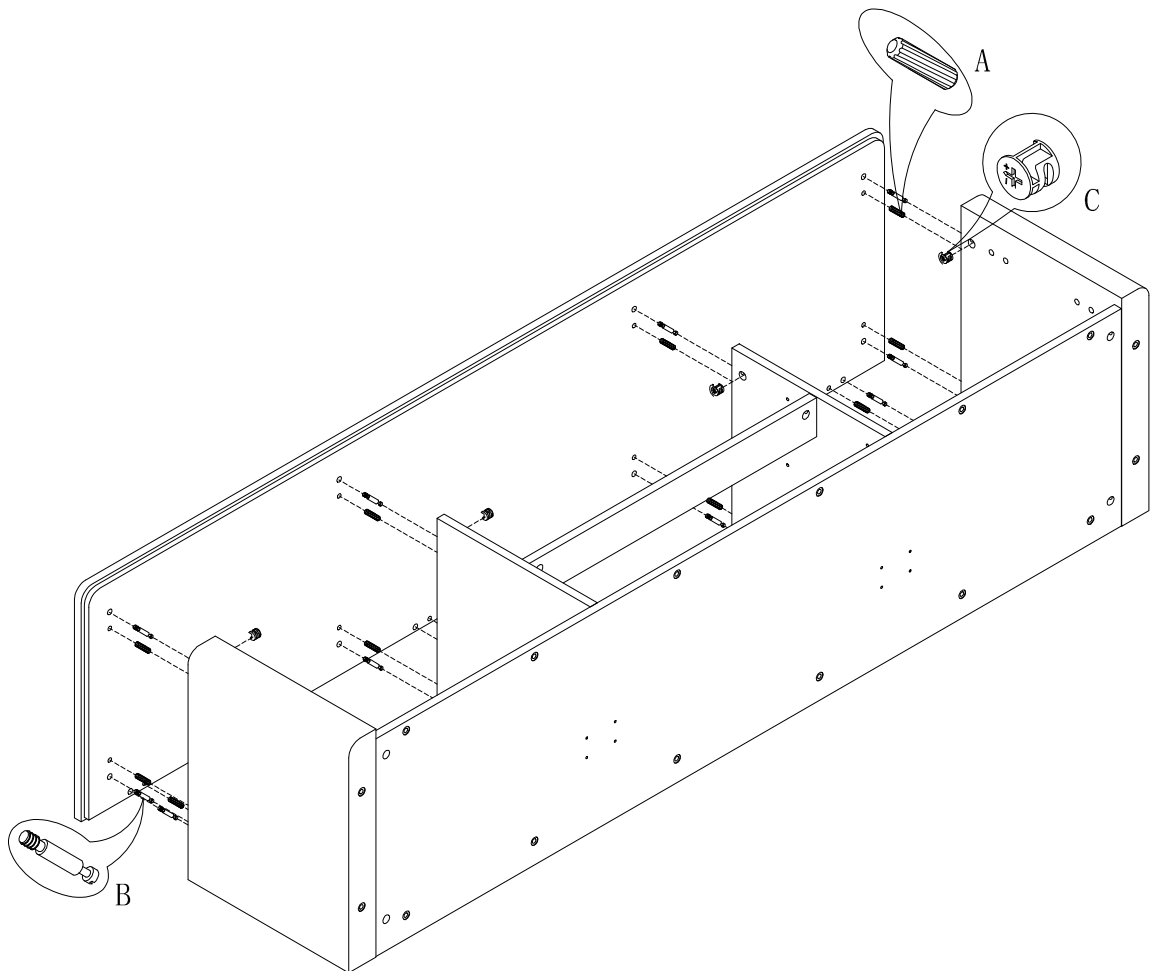
2

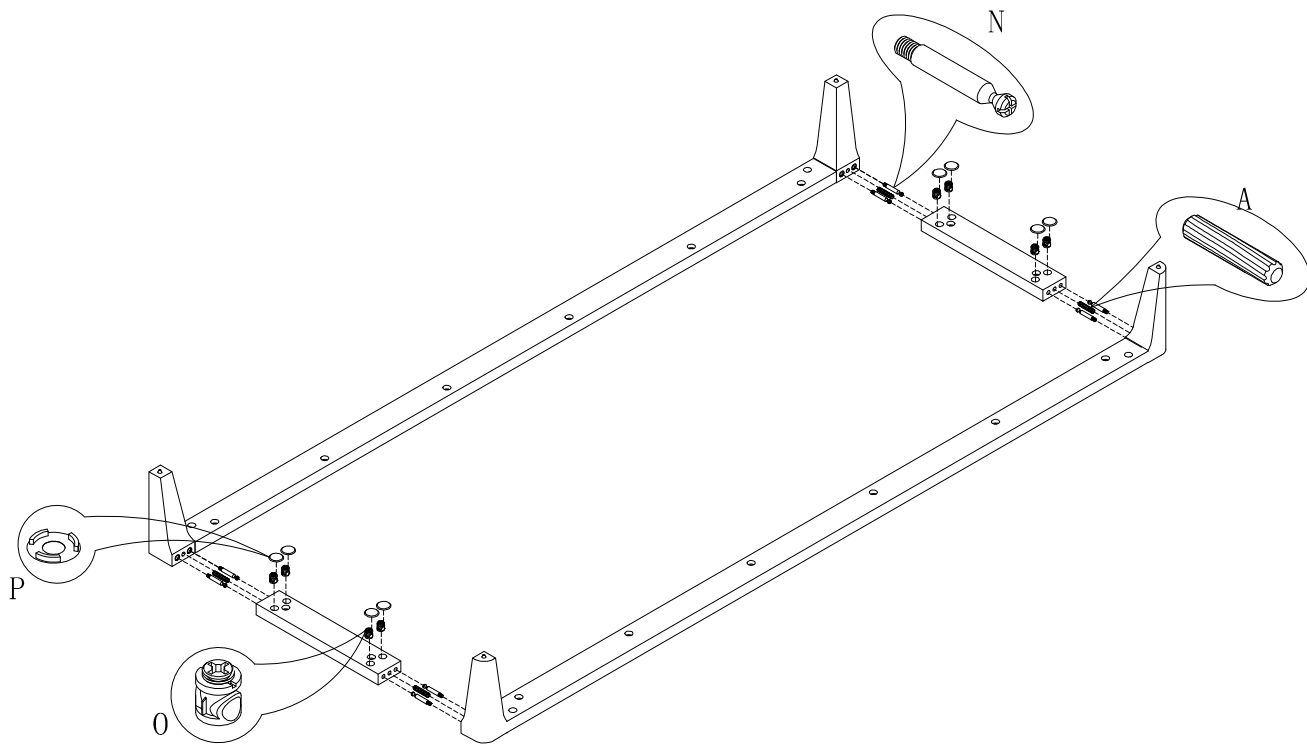


3



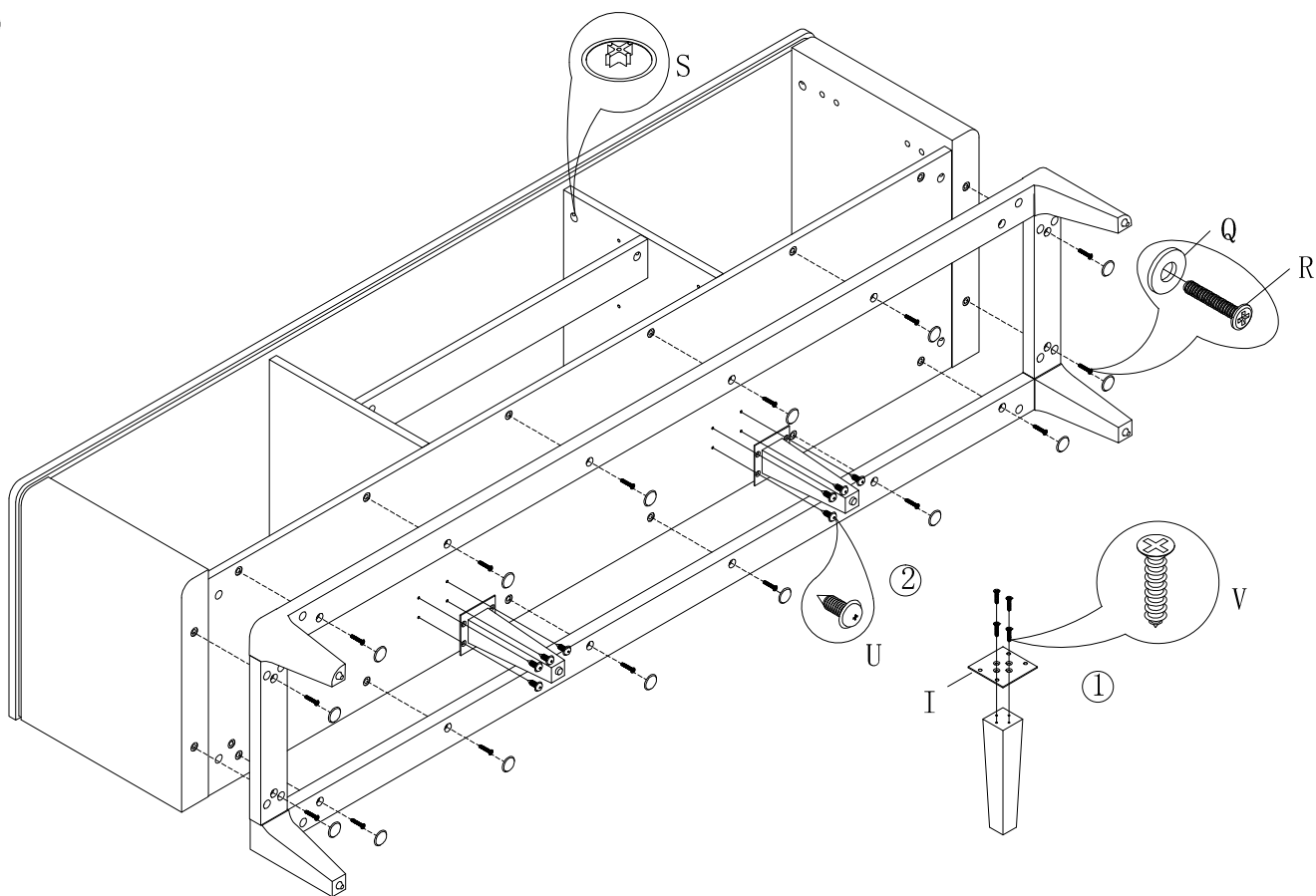
4

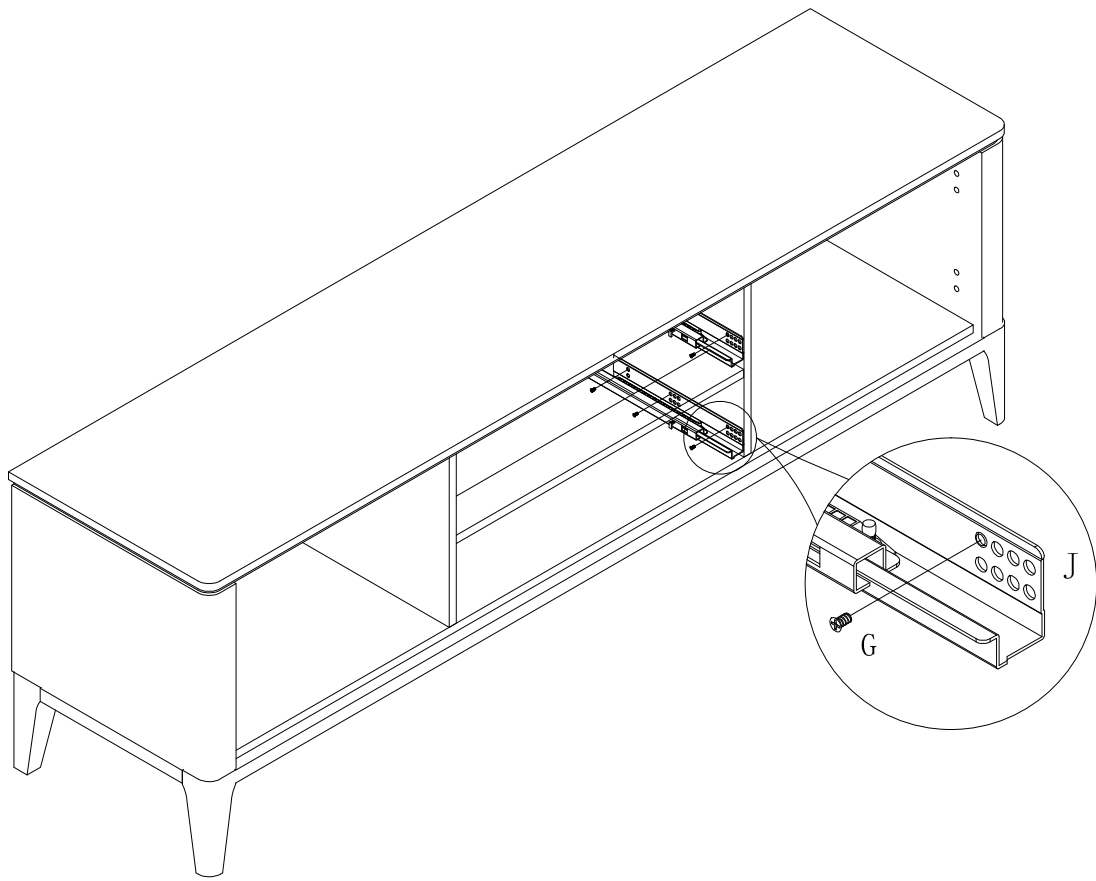




5

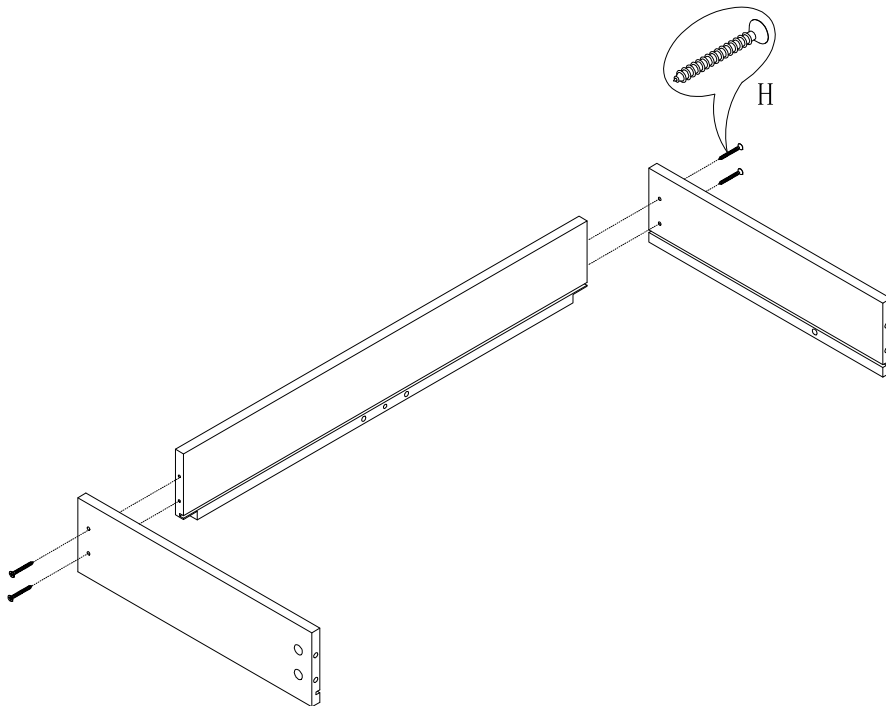
6

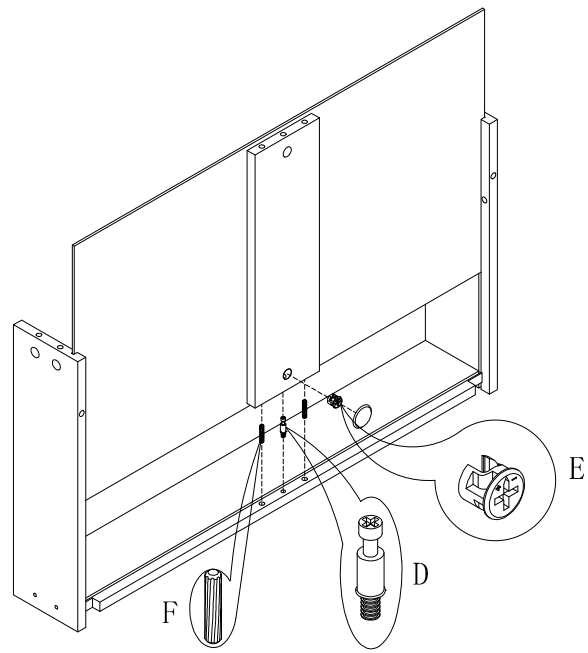




7

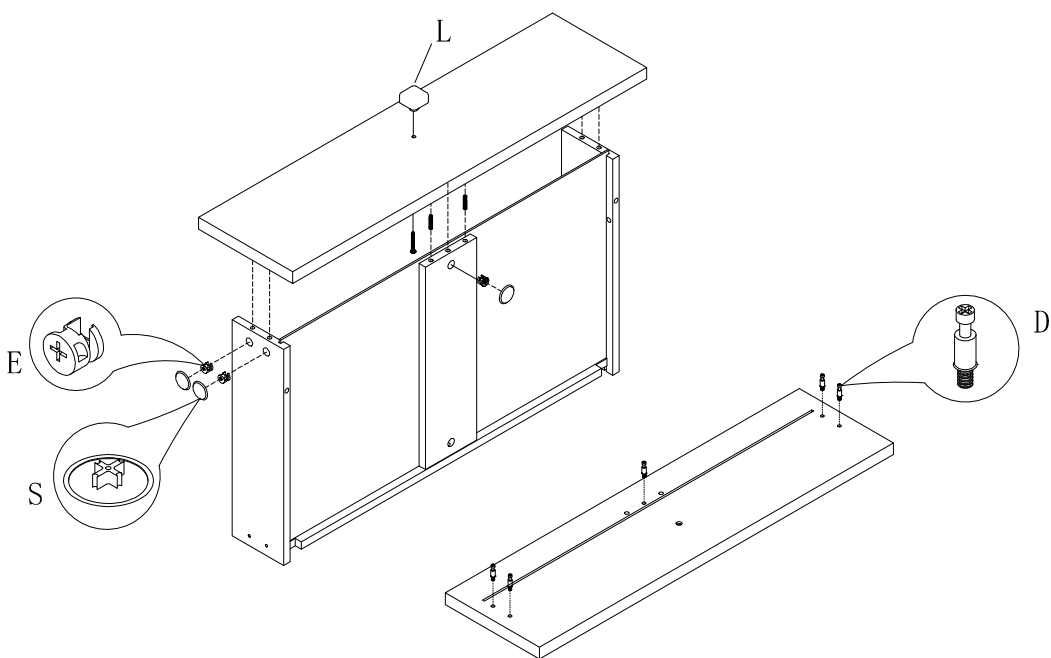
8

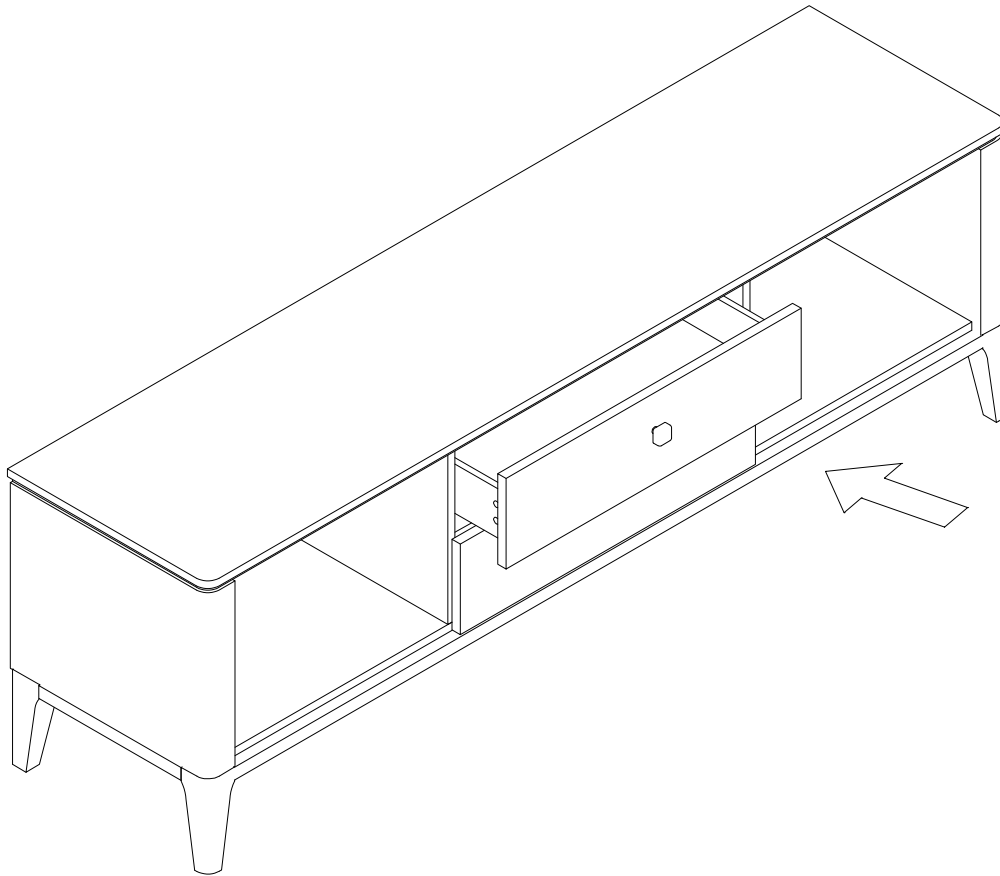




9

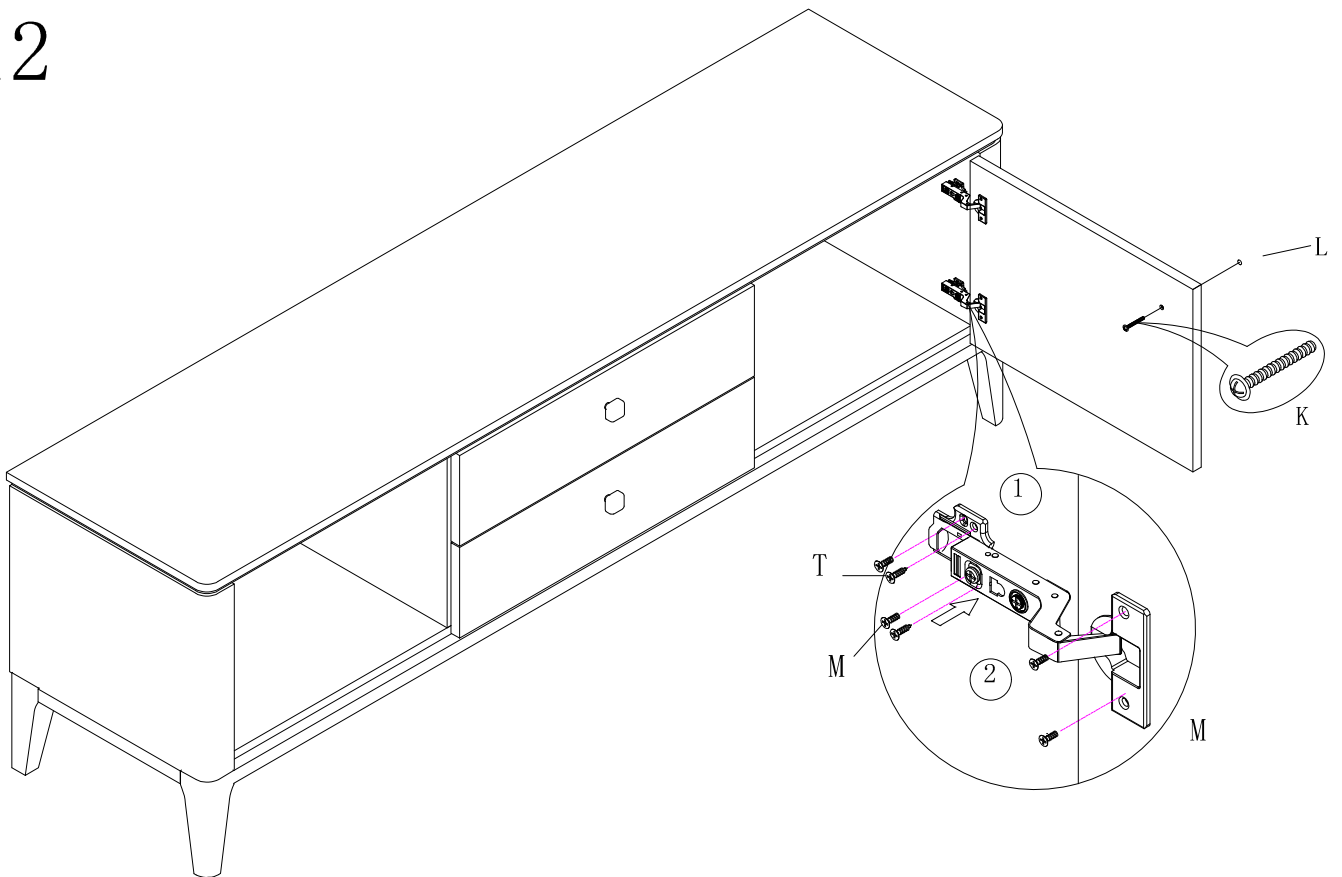
10



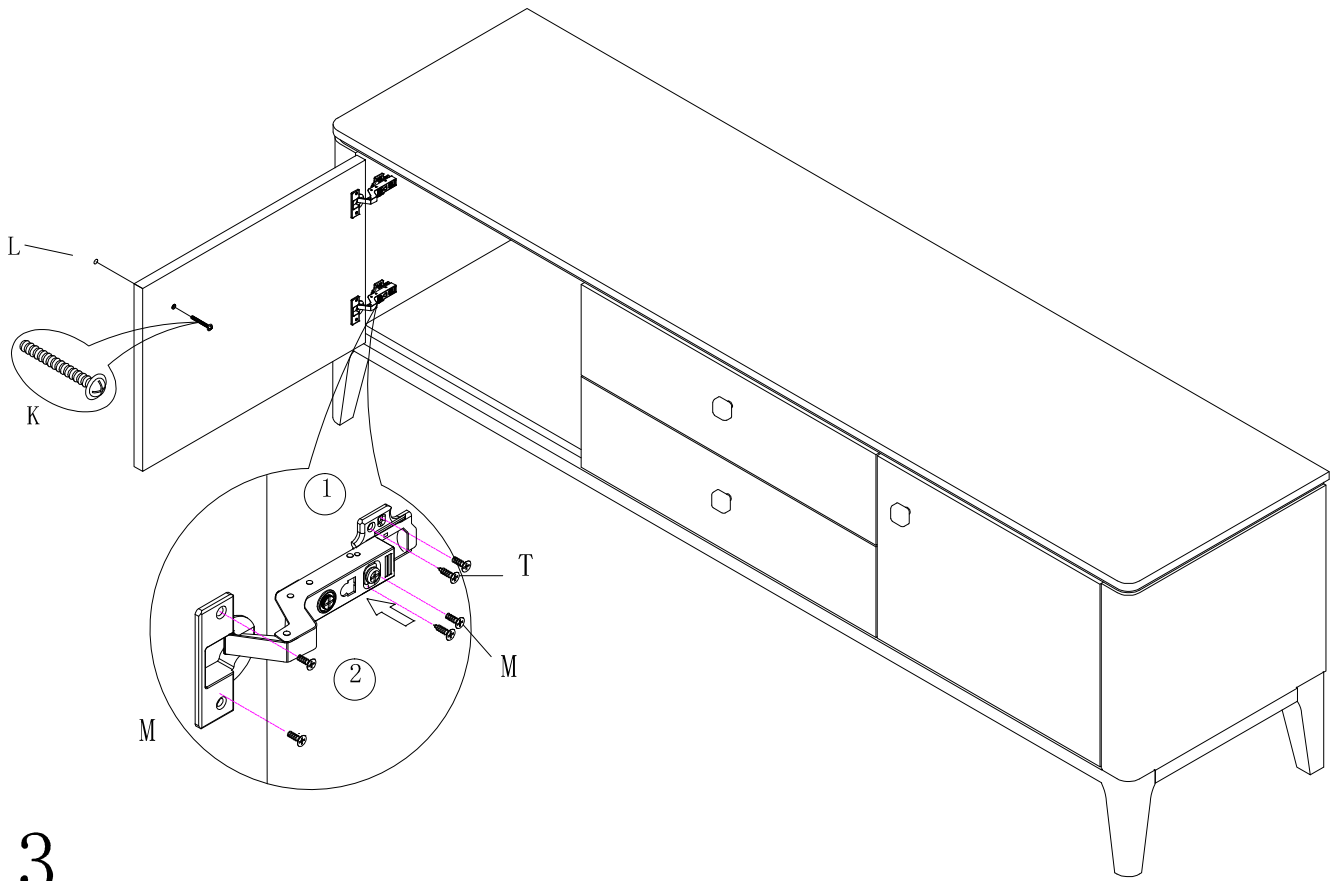


11

12







13